

# AUTOMATIC VALVES

**Those who drive an automatic car and can rely on computer-controlled safety facilities, will find it all very practical.**

Premium, fully automatic shut-off valves and control units in compact design. Extensive, individual system solutions, most simple installation, low maintenance, economic price as well as the use of corrosion resistant materials provide global application. The world wide unique actuator EO510 MVO is multifunctionally applicable from 12 – 230V AC/DC.





2-way ball valve S4 with electric actuator E0510 MVO	98
2-way ball valve S4 with electric actuator E0412/425	99
2-way ball valve S6 with electric actuator E0510 (ECO & MVO)	100
3-way ball valve S4 with electric actuator E0510 MVO and E0412	101
3-way ball valve S4 with electric actuator E0510 MVO and E0412	102
3-way ball valve S4 'solar' version with electric actuator E0510 MVO solar and E0510 ECO	103
Butterfly valve K4 with electric actuator	104
2-way ball valve S4 with pneumatic actuator	105
Butterfly valve K4 with pneumatic actuator	106
Diaphragm valve T4 with pneumatic actuator	107
Accessories, Easy Control	108

# PVC AUTOMATIC BALL VALVES

## 2-way ball valve S4 with electric actuator (EO510 MVO\*)



2 way Ball Valve S4 with electric actuator EO510 MVO\*,  
EO412, EO425

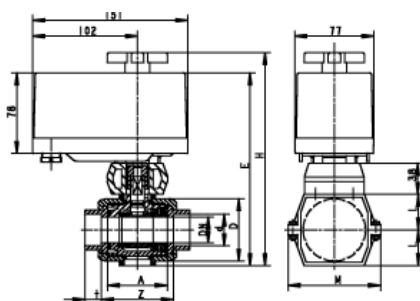
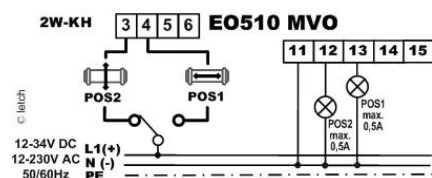
### Technical advantages:

- Quick manipulation (EO510 12 sec., EO412 6 sec. EO425 12 sec.)
- Optic position indication
- Manual override
- Compact design
- Chlorine- and sea water resistant (corrosion proof)
- Protection rate: IP54 (EO510), IP 65 (EO412, 425)
- Electric position feedback
- CE conformity

EO412

Material	Seal	Dimension	Typ	bar	Connection type
PVC Code 48	EPDM, FPM PTFE	DN10 / d16 3/8" - DN25 / d32 1" DN32 / d40 1 1/4" - DN50 / d63 2"	EO510 MVO EO412	10 10	solvent cement socket (ASTM, DIN, JIS) solvent spigot threaded socket (BSP, NPT) PE - fusion socket PE - fusion spigot flange connection (ANSI, DIN, JIS)
	EPDM, FPM PTFE	DN65 / d75 2 1/2" DN80 / d90 3" DN80 / d110 4"	EO425	6 5 4	
PP Code 38	EPDM, FPM PTFE	DN10 / d16 3/8" - DN25 / d32 1" DN32 / d40 1 1/4" - DN50 / d63 2"	EO510 MVO EO412	10 10	fusion socket fusion spigot threaded socket (BSP, NPT) flange connection (ANSI, DIN, JIS)
	EPDM, FPM PTFE	DN65 / d75 2 1/2" DN80 / d90 3" DN80 / d110 4"	EO425	6 5 4	

### Connecting Diagram



### S4 dimensions PVC for EO510-MVO actuator

d	mm	16	20	25	32
DN	mm	10	15	20	25
G	Inch	3/8"	1/2"	3/4"	1"
A	mm	62,0	62,0	70,0	74,0
D	mm	53,0	53,0	63,0	70,0
E	mm	191,5	191,5	205,5	211,5
H	mm	211,5	211,5	225,5	231,5
L	mm	33,0	33,0	40,0	43,0
M	mm	113,0	113,0	113,0	113,0
t	mm	16,5	16,5	19,5	22,5
Z	mm	67,5	67,5	76,0	81,0
PN	bar	16,0	16,0	16,0	16,0
operating pressure	max. bar	10,0	10,0	10,0	10,0

### S4 dimensions PP (PVDF) for EO510-MVO actuator

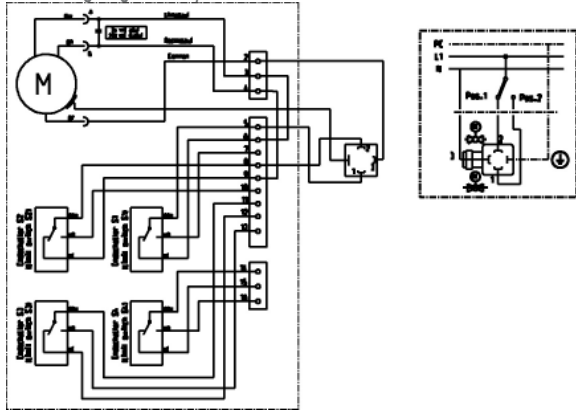
d	mm	16	20	25	32
DN	mm	10	15	20	25
G	Inch	3/8"	1/2"	3/4"	1"
A	mm	62,0	62,0	69,0	73,0
D	mm	52,5 (51,8)	52,5 (51,8)	62,0 (61,5)	69,5 (68,5)
E	mm	191,5	191,5	205,5	211,5
H	mm	211,5	211,5	225,5	231,5
L	mm	33,0	33,0	40,0	43,0
M	mm	113,0	113,0	113,0	113,0
t	mm	14,5	16,0	17,0	19,5
Z	mm	71,0	67,5	79,0	84,0
PN	bar	10 (16,0)	10 (16,0)	10 (16,0)	10 (16,0)
operating pressure	max. bar	10,0	10,0	10,0	10,0

EO510 MVO\* = multivoltage operated 12-230V AC/DC

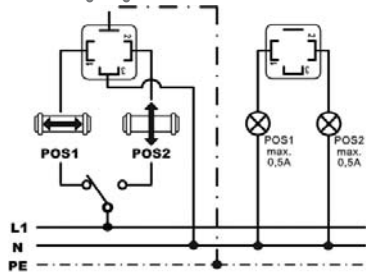
Detailed technical description (PDF) available on request. [info@peraqua.com](mailto:info@peraqua.com)

## 2way ball valve with electric actuator (EO412/425\*)

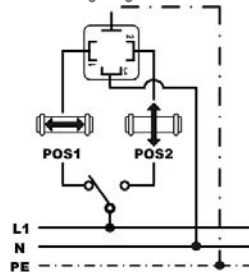
Connecting diagram 2way ball valve S4 with electric actuator EO412/425\*



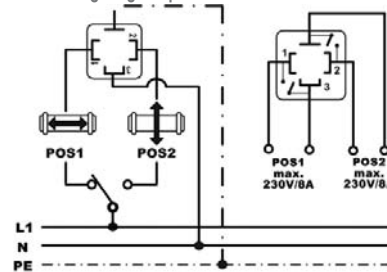
Connecting diagram with feedback



Connecting diagram without feedback



Connecting diagram potential free



Dimensions 2way PVC ball valve S4 with electric actuator

actuator		EO412			EO425		
d	mm	40	50	63	75	90	110
DN	mm	32	40	50	65	80	80
G	Inch	1 1/4"	1 1/2"	2"	2 1/2"	3"	4"
A	mm	84	95	109	137	163	163
C	mm	48	48	48	72,5	72,5	72,5
D	mm	85	101	121,5	155	188	188
E	mm	267,9	277,9	293,9	360,4	390,4	390,4
H	mm	297	307	323	389,5	419,5	419,5
L	mm	51	56	64	85	100	100
M	mm	144	144	144	204	204	204
t	mm	26,5	31,5	38,5	45	55,5	64
Z	mm	90	104	121	148	183	176
X	mm	39	39	39	86	86	86
PN	mm	16	16	16	16	10	6
operating pressure	max. bar	10	10	10	6	6	6

Dimensions 2way PP-ball valve S4 with electric actuator

actuator		EO412			EO425		
d	mm	40	50	63	75	90	110
DN	mm	32	40	50	65	80	80
G	Inch	1 1/4"	1 1/2"	2"	2 1/2"	3"	4"
A	mm	83	95	108	133	160	160
C	mm	48	48	48	72,5	72,5	72,5
D	mm	84	100	120	155	187	187
E	mm	265,9	275,9	290,9	357,4	387,4	387,4
H	mm	295	305	320	386,5	416,5	416,5
L	mm	50	55	62,5	83,5	98,5	98,5
M	mm	141	141	141	201	201	201
t	mm	22	21	29	34,5	38,5	44
Z	mm	96	114	134	162	208	207
X	mm	39	39	39	86	86	86
PN	mm	10	10	10	10	6	6
operating pressure	max. bar	10	10	10	6	6	6

### Applications:

- Private and public pools and water treatment industry
- Swimming pond and fish farming
- Water irrigation and cooling towers
- Trick fountains (wells, water falls, etc.)

# PVC AUTOMATIC BALL VALVES

## 2way ball valve S6 with electric actuator (EO510 ECO & MVO\*)



### 2way ball valve S6 with electric actuator

EO510 ECO 230 V AC

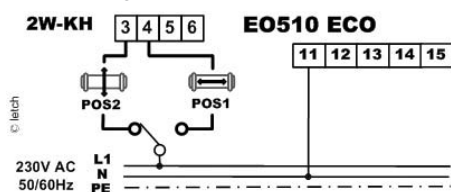
EO510 MVO 12-230 V AC/DC

#### Technical advantages:

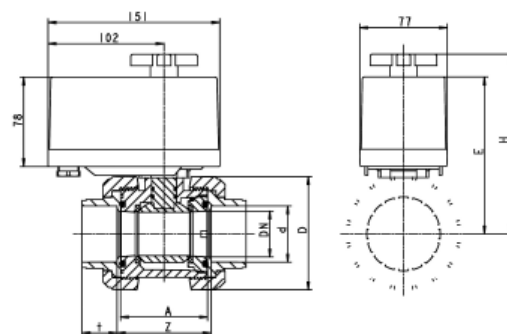
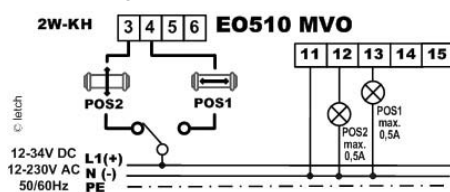
- Quick manipulation (EO510 ECO 25sec. EO510 MVO 12 sec.)
- Optic position indication
- Manual override
- Compact design
- Chlorine- and sea water resistant (corrosion proof)
- Protection rate: IP54 (EO510)
- Electric position feedback
- CE conformity

Material	Seal	Dimension	Type	bar	Connection type
PVC Code 56	EPDM, FPM PTFE	DN32 / d40 1 1/4" - DN50 / d63 2"	EO510, ECO EO510, MVO	3	solvent cement socket (ASTM, DIN, JIS) solvent spigot threaded socket (BSP, NPT) PE - fusion socket PE - fusion spigot flange connection (ANSI, DIN, JIS)

#### Connection diagram ECO



#### Connection diagram MVO



#### Dimensions PVC for EO510-ECO & MVO\*

		S6	S6	S6
d	mm	40	50	63
DN	mm	32	40	50
G	Zoll	1 1/4"	1 1/2"	2"
A	mm	77,0	77,0	87,0
D	mm	101,5	101,5	115,3
E	mm	135,0	135,0	142,0
H	mm	155,0	155,0	162,0
t	mm	26,5	31,5	38,5
Z	mm	87,0	87,0	99,0
PN	bar	16,0	16,0	16,0
Opening pressure	Max. bar	3,0	3,0	3,0

#### Applications:

- private, public pools and water treatment industry
- swimming pond and fish farming
- water irrigation and cooling towers
- trick fountains (wells, water falls, etc.)
- control valve for counter flow equipment or whirlpools

EO510 MVO\* = multivoltage operated 12-230 V AC/DC

EO510 ECO\* = 230V AC

Detailed technical description (PDF) available on request. [info@peraqua.com](mailto:info@peraqua.com)

## 3way ball valve S4 with electric actuator (EO510 MVO\* & EO412) part 1



EO412



EO510

### 3-Wege ball valve S4 with electric actuator

EO510 MVO 12-230 V AC/DC

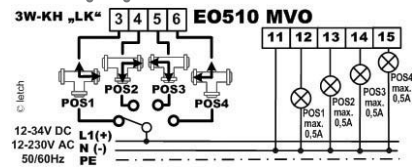
EO412 12V, 115V, 230V AC, 24 V DC

#### Technical advantages:

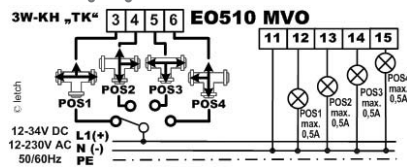
- Quick manipulation (EO510 12 sec., EO412 6sec. EO425 12 sec.)
- Optic position indication
- Manual override
- Compact design
- Chlorine- and seawater resistand (corrosion proof)
- Protection rate IP 54 (EO510), IP 65 (EO412/425)
- Electric position feedback
- CE conformity

Material	Seal	Dimension	Type	bar	Connection type
PVC Code 48	EPDM, FPM PTFE	DN10 / d16 3/8" - DN25 / d32 1" DN32 / d40 5/4" - DN50 / d63 2"	EO510 MVO EO412	10 10	solvent cement socket (ASTM, DIN, JIS) solvent spigot threaded socket (BSP, NPT) PE - fusion socket PE PE - fusion spigot PE flange connection (ANSI, DIN, JIS)
PP Code 38	EPDM, FPM PTFE	DN10 / d16 3/8" - DN25 / d32 1" DN32 / d40 5/4" - DN50 / d63 2"	EO510 MVO EO412	10 10	fusion socket fusion spigot threaded socket (BSP, NPT) flange connection (ANSI, DIN, JIS)

Connecting diagram EO510 MVO D16 3/8" - D32 1" L ball

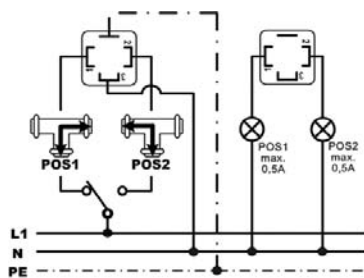


Connecting diagram EO510 MVO D16 3/8" - D32 1" T ball

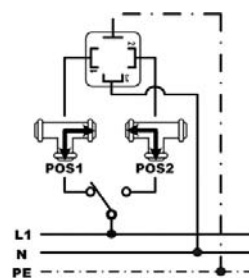


Connecting diagram EO412 D40 5/4" - D63 2"

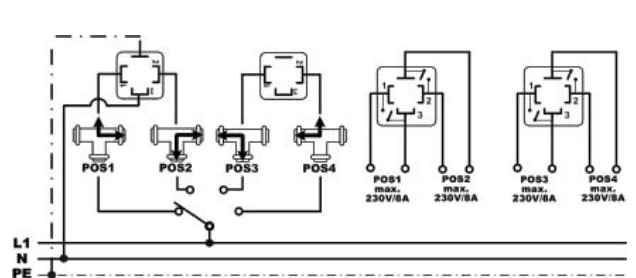
Connecting diagram LB with feedback



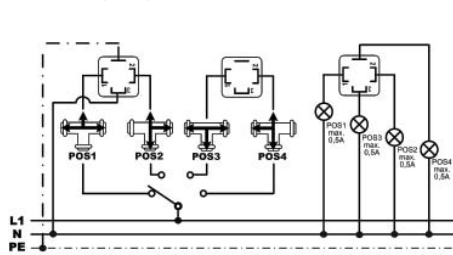
Connecting diagram LB without feedback



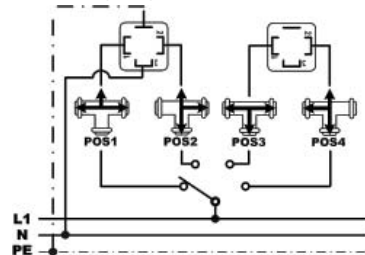
Connecting diagram LB potential free



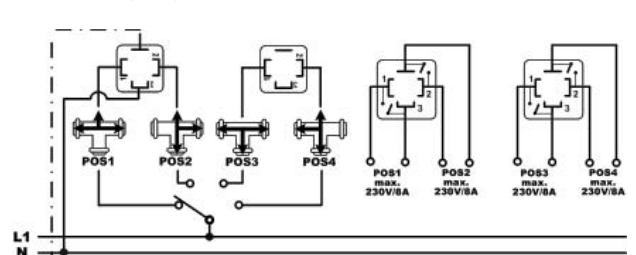
Connecting diagram TB with feedback



Connecting diagram TB without feedback



Connecting diagram TB potential free

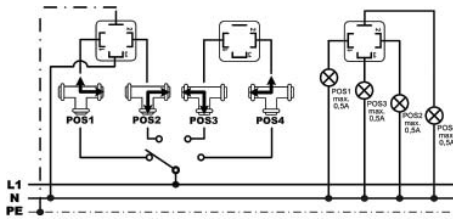


# PVC AUTOMATIC BALL VALVES

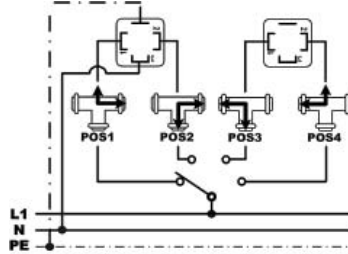
## 3way ball valve S4 with electric actuator (EO510 MVO\* & EO412) part 2

Connection diagram EO412 D40 5/4" - D63 2"

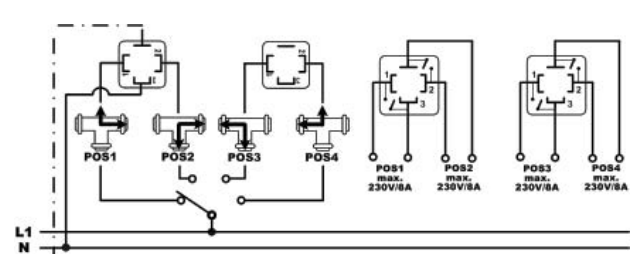
Connecting diagram LB with feedback



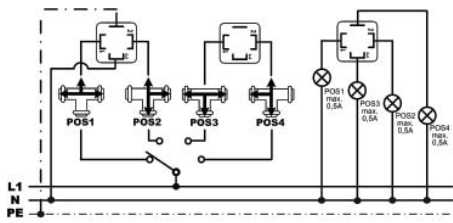
Connecting diagram LB without feedback



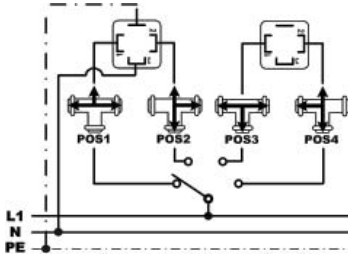
Connecting diagram LB potential free



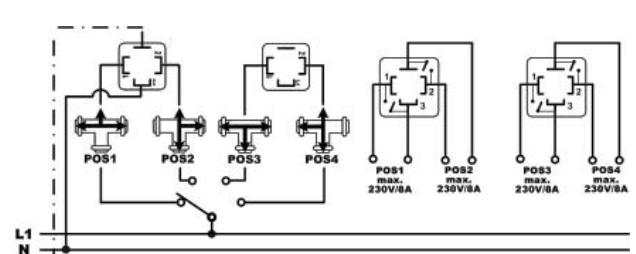
Connecting diagram TK 4pos. with feedback



Connecting diagram TK 4pos. without feedback



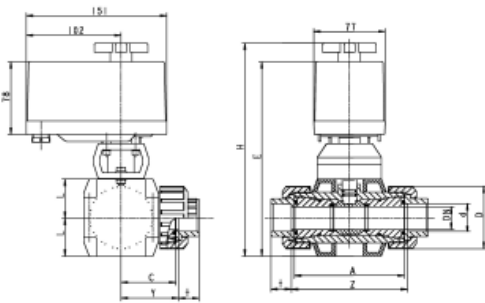
Connecting diagram TK 4pos. potential free



Dimensions EO510 D16 3/8" - D32 1"

Dimensions 3way PVC ball valve S4 with electric actuator EO510

Dimensions 3way PP ball valve S4 with electric actuator EO510



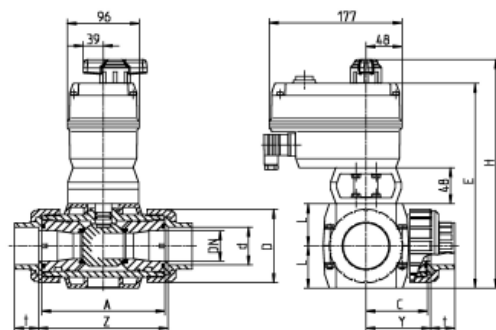
	mm	16	20	25	32
d	mm	16	20	25	32
DN	mm	10	15	25	25
G	Inch	3/8"	1/2"	3/4"	1"
A	mm	100	100	121	121
C	mm	50	50	60,5	60,5
D	mm	53	53	70,5	70,5
E	mm	192	192	212	212
H	mm	212	212	232	232
L	mm	33	33	43	43
Y	mm	52,8	52,8	63,5	63,5
Z	mm	105,5	105,5	127	127
t	mm	16,5	16,5	20	22,5
PN	bar	16	16	16	16
operating pressure	max. bar	10	10	10	10

	mm	16	20	25	32
d	mm	16	20	25	32
DN	mm	10	15	25	25
G	Inch	3/8"	1/2"	3/4"	1"
A	mm	100	100	118,5	118,5
C	mm	50	50	59,3	59,3
D	mm	52,5	52,5	69,5	69,5
E	mm	190	190	210	210
H	mm	210	210	230	230
L	mm	32	32	42	42
Y	mm	54,5	52,8	64,8	64,8
Z	mm	109,5	105,5	129,5	129,5
t	mm	14,5	16	17	19,5
PN	bar	10	10	10	10
operating pressure	max. bar	10	10	10	10

Dimensions EO412 D40 5/4" - D63 2"

Dimensions 3way PVC ball valve with electric actuator S4/12

Dimensions 3way PP ball valve S4 with electric actuator S4/12



	mm	40	50	63
d	mm	40	50	63
DN	mm	32	40	50
G	Inch	1 1/4"	1 1/2"	2"
A	mm	162	162	181
B	mm	160	160	176
C	mm	81	81	90,5
D	mm	101	101	121,5
H	mm	301,6	301,6	317,6
F	mm	56	56	323
Y	mm	84,5	85,5	64
Z	mm	169	171	96,5
t	mm	27,5	31,5	193
PN	mm	16	16	16
operating pressure	max. bar	10	10	10

	mm	40	50	63
d	mm	40	50	63
DN	mm	32	40	50
G	Inch	1 1/4"	1 1/2"	2"
A	mm	161,5	161,5	180
B	mm	161	161	178
C	mm	81	81	90
D	mm	100	100	120,5
H	mm	303	303	319,5
F	mm	56,5	56,5	65
Y	mm	89,7	91	103,6
Z	mm	179	181	206,6
t	mm	21,8	25,5	29,5
PN	mm	10	10	10
operating pressure	max. bar	-	-	-

LB = "L" ball

TB = "T" ball

Detailed technical description (PDF) available on request. [info@peraqua.com](mailto:info@peraqua.com)

## 3way ball valve S4 ,SOLAR' version with electric actuator (EO510 MVO Solar & EO510 ECO)

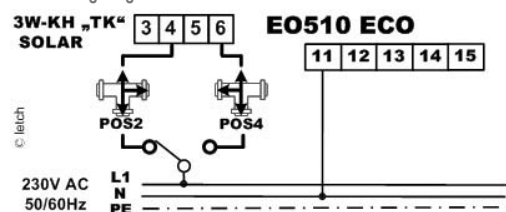


### Technical advantages:

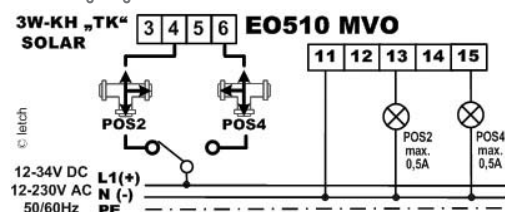
- Quick manipulation (EO510 ECO 25 sec. EO510 MVO 12 sec.)
- Optic position indication
- Manual override
- Compact design
- Chlorine- and sea water resistant (corrosion proof)
- Protection rate: IP54 (EO510), IP65 (EO412, 425)
- Electric position feedback
- CE conformity
- Integrated pressure venting system (bypass-system) because of little drill holes in the T-ball & thrust collar

Material	Seal	Dimension	Type	bar	Connection type
PVC Code 56	EPDM, FPM PTFE PE	DN32 / d40 5/4" - DN50 / d63 2"	EO510, ECO EO510, MVO	3	solvent cement socket (ASTM, DIN, JIS) solvent spigot PE - fusion socket PE - fusion spigot threaded socket (BSP, NPT)

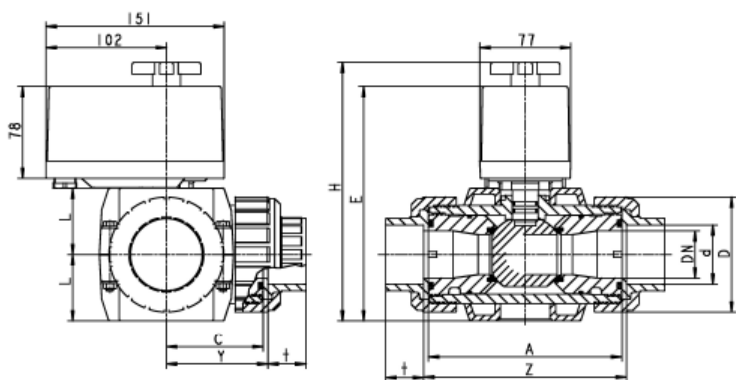
Connecting diagram TB ECO



Connecting diagram TB MVO



### Dimensions



Dimensions 3way PVC ball valve S4 with electric actuator EO510 MVO & ECO

d	mm	40	50	63
DN	mm	32	40	50
G	Inch	1 ¼ Inch	1 ½ Inch	2 Inch
A	mm	162	162	181
C	mm	81	81	90,5
D	mm	101	101	121,5
E	mm	199	199	215
L	mm	56	56	64
H	mm	219	219	235
Y	mm	84,5	85,5	96,5
Z	mm	169	171	193
t	mm	27,5	31,5	38,5
PN	mm	-	-	-
operating pressure	max. bar	3	3	3

### Applications:

- private and public pools and swimming ponds, which shall be fitted with a solar system in order to extend the outdoor swimming season.

Installation diagram for EO510: see chapter solar controls, page 82 - 88

# PVC ELECTRIC BUTTERFLY VALVE

## Butterfly valve K4 with electric actuator



### Butterfly valve K4 with electric actuator

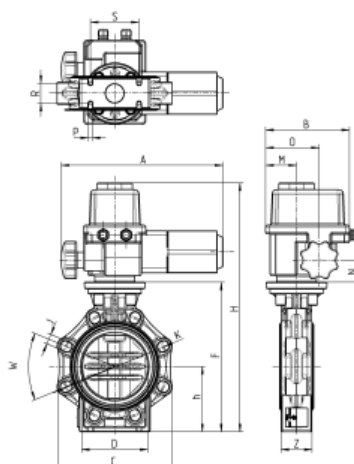
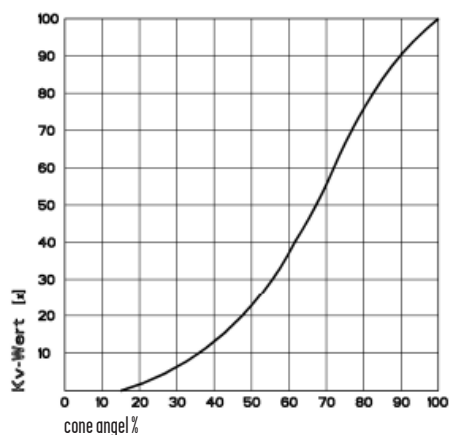
230V AC 50-60 Hz, 24V and 115V available upon request  
Type of Actuator: OA3 OA6, OA8, OA15

#### Technical advantages:

- High pressure and temperature resistant, body design
- Optic position indication
- Manual override
- Protection rate IP67
- Robust disc
- Resistant sealing system (chlorine and sea water resistant, corrosion free)
- Universal flange drill holes (ANSI, DIN, JIS)

Material	Seal	Dimension	bar	Connection type
PVC Code 47	EPDM, FPM	DN65 / d75 2 1/2" - DN 200 / d225 8"	10	flange connection (ANSI, DIN, JIS, BS)
PP Code 37	EPDM, FPM	DN65 / d75 2 1/2" - DN 200 / d225 8"	10	flange connection (ANSI, DIN, JIS, BS)

#### Flow rate diagram



#### Applications:

- Private and public pools and water treatment industry
- Swimming pond and fish farming
- Water irrigation and cooling towers
- Trick fountains (wells, water falls, etc..)

#### Main dimensions

##### Butterfly valve K4 with electric actuator

DN		65	80	100	150	200
d	mm	75	90	110	160	225
G		2,5"	3"	4"	6"	8"
W	°	90	45	45	45	45
J	mm	19	19	19	23	23
K	mm	127-145	146-160	175-190,5	234,5-241,5	290-298,5
D	mm	65	80	100	150	200
C	mm	133	176	206	261	314
Z	mm	46	49	56	70	71
S	mm	55	70	85	110	145
R	mm	25	30	35	45	40
P	mm	7	9	9	9	9
h	mm	100	100	115	147,5	175
F	mm	232	239	269	338	400
H	mm	456	463	493	562	624
A	mm	264	376	376	376	376
B	mm	190	190	190	190	190
N	mm	53	53	53	53	53
M	mm	65	65	65	65	65
O	mm	114	114	114	114	114
PN	bar	10	10	10	10	10
Actuator		OA3	OA6	OA6	OA8	OA15
90°		6 sec.	6 sec.	6 sec.	6 sec.	15 sec.

# PVC PNEUMATIC BALL VALVE

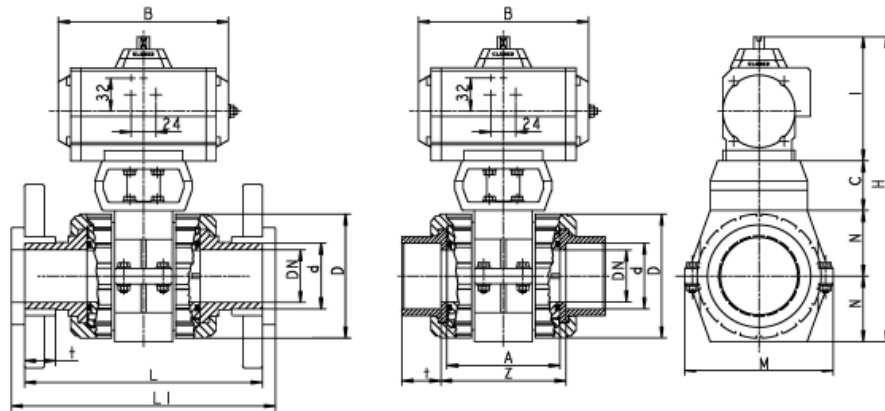


## 2way ball valve S4



**2way ball valve S4**  
 pneumatic actuator and  
 optic position indication  
 PO-NC fail safe closed  
 PO-NO fail safe open  
 PO-DA double acting

Material	Seal	Dimension	bar	Connection type
PVC Code 48	EPDM, FPM PTFE	DN10 / d16 3/8" - DN50 / d63 2" DN65 / d75 2 1/2" - DN80 / d110 4"	10 6	solvent cement socket (ASTM, DIN, JIS) solvent spigot threaded socket (BSP, NPT) PE - threaded socket PE - fusion spigot flange connection (ANSI, DIN, JIS)
PP Code 38	EPDM, FPM PTFE	DN10 / d16 3/8" - DN50 / d63 2" DN65 / d75 2 1/2" - DN80 / d110 4"	10 6	fusion socket fusion spigot threaded socket (BSP, NPT) flange connection (ANSI, DIN, JIS)



### Applications:

- Private and public pools and water treatment industry
- Swimming ponds and fish farming
- Water irrigation and cooling towers
- Trick fountains (wells, water falls, etc..)

### Main dimensions for 2way PVC ball valve S4 with pneumatic actuator

d	mm	16	20	25	32	40	50	63	75	90	110
DN	mm	10	15	20	25	32	40	50	65	80	80
G	Inch	3/8"	1/2"	3/4"	1"	1 1/4"	1 1/2"	2"	2 1/2"	3"	4"
A	mm	62,0	62,0	70,0	74,0	84,0	95,0	109,0	137,0	163,0	163,0
C	mm	38,0	38,0	38,0	38,0	48,0	48,0	48,0	72,5	72,5	72,5
D	mm	53,0	53,0	63,0	70,0	85,0	101,0	121,5	155,0	188,0	188,0
M	mm	113,0	113,0	113,0	113,0	144,0	144,0	144,0	204,0	204,0	204,0
N	mm	33,0	33,0	40,0	43,0	51,0	56,0	64,0	85,0	100,0	100,0
L	mm	114,0	124,0	144,0	154,0	174,0	194,0	224,0	284,0	300,0	340,0
L1	mm	120,0	130,0	150,0	160,0	180,0	200,0	230,0	290,0	310,0	350,0
t	mm	16,5	16,5	19,5	22,5	26,5	31,5	38,5	45,0	55,5	64,0
Z	mm	67,5	67,5	76,0	81,0	90,0	104,0	121,0	148,0	183,0	176,0
PN	bar	10	10	10	10	10	10	10	6	6	6
<b>Actuator</b>		<b>UT-05 DA</b>				<b>UT-15 DA</b>				<b>UT-17 DA</b>	
B	mm	119,0	119,0	119,0	119,0	165,0	165,0	165,0	165,0	197,0	197,0
H	mm	205,0	205,0	219,0	225,0	271,0	281,0	297,0	363,5	393,5	393,5
I	mm	101,0	101,0	101,0	101,0	121,0	121,0	121,0	121,0	121,0	121,0
<b>Actuator</b>		<b>UT-05 SR</b>				<b>UT15-SR</b>	<b>UT17-SR</b>	<b>UT25-SR</b>	<b>UT-30-SR</b>		
B	mm	119,0	119,0	119,0	119,0	165,0	165,0	197,0	239,0	230,0	230,0
H	mm	205,0	205,0	219,0	225,0	271,0	281,0	297,0	363,5	434,5	434,5
I	mm	101,0	101,0	101,0	101,0	121,0	121,0	121,0	143,0	162,0	162,0

# PVC BUTTERFLY VALVE+PNEUM. ACT.

## Butterfly valve K4 with pneumatic actuator



### Technical advantages:

- High pressure and temperature resistance, body design
- Optic position indication
- Manual override
- Robust disc
- Resistant sealing system (chlorine and sea water resistant, corrosion free)
- Universal flange drill holes (ANSI, DIN, JIS)
- Quick manipulation
- Wide range of accessories, like solenoid valves, electric position feedback and 4 – 20 mA valve positioner

### Butterfly valve K4 with pneumatic actuator and optic position indication

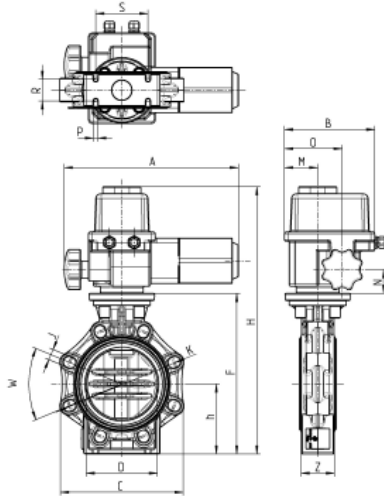
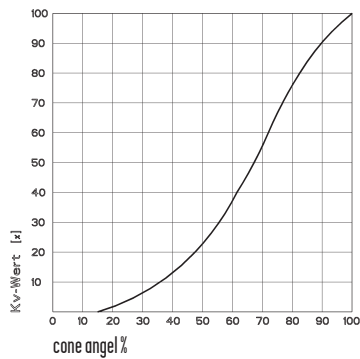
- PO-NC fail safe closed
- PO-NO fail safe open
- PO-DA double acting

### Applications:

- Private and public pools and water treatment industry
- Swimming ponds and fish farming
- Water irrigation and cooling towers
- Trick fountains (wells, water falls, etc..)

Material	Seal	Dimension	bar	Connection type
PVC Code 47	EPDM, FPM	DN65 / d75 2 1/2" - DN 200 / d225 8"	10	flange connection (ANSI, DIN, JIS, BS)
PP Code 37	EPDM, FPM	DN65 / d75 2 1/2" - DN 200 / d225 8"	10	flange connection (ANSI, DIN, JIS, BS)

### Flow rate diagram ASK K4



### ASK K4 actuator double acting

DN	Actuator type MAX AIR	Required air control pressure from to (bar)
65	UT-17 DA	5,5-10
80	UT-20 DA	5,5-10
100	UT-25 DA	5,5-10
150	UT-35 DA	5,5-10
200	UT-35 DA	5,5-10

### ASK K4 actuator single acting

DN	Actuator type MAX AIR	Required air control pressure from to (bar)
65	UT25-4+4	5,5-10
80	UT30-4+4	5,5-10
100	UT35-4+4	5,5-10
150	UT45-4+4	5,5-10
200	UT50-4+4	5,5-10

### Main dimensions

#### Butterfly valve with pneumatic actuator, double acting

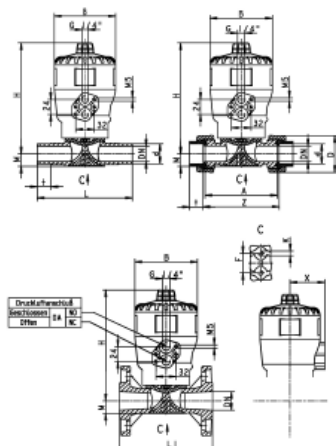
DN	mm	65	80	100	150	200
d	mm	75	90	110	160	225
G		2,5"	3"	4"	6"	8"
W	°	90	45	45	45	45
J	mm	19	19	19	23	23
K	mm	127-145	146-160	175-190,5	234,5-241,5	290-298,5
D	mm	65	80	100	150	200
C	mm	133	176	206	261	314
Z	mm	46	49	56	70	71
S	mm	55	70	85	110	145
R	mm	25	30	35	45	40
P	mm	7	9	9	9	9
h	mm	100	100	115	147,5	175
F	mm	232	239	269	333	395
H	mm	353	382	412	529	591
A	mm	197	177	239	246	246
B	mm	85	96	96	138	138
N	mm	48	60	63	87,5	87,5
M	mm	35	43	43	65,5	65,5
PN	bar	10	10	10	10	10

### Main dimensions

#### Butterfly valve with pneumatic actuator, single acting

DN	mm	65	80	100	150	200
d	mm	75	90	110	160	225
G		2,5"	3"	4"	6"	8"
W	°	90	45	45	45	45
J	mm	19	19	19	23	23
K	mm	127-145	146-160	175-190,5	234,5-241,5	290-298,5
D	mm	65	80	100	150	200
C	mm	133	176	206	261	314
Z	mm	46	49	56	70	71
S	mm	55	70	85	110	145
R	mm	25	30	35	45	40
P	mm	7	9	9	9	9
h	mm	100	100	115	147,5	175
F	mm	232	239	269	333	395
H	mm	353	382	412	529	591
A	mm	239	230	246	351	361
B	mm	96	113	138	151	185
N	mm	63	70	87,5	92	114
M	mm	43	52	65,5	73	91
PN	bar	10	10	10	10	10

## Diaphragm valve T4 + Pneumatic Actuator



### Diaphragm valve T4 with pneumatic actuator and optic position indication

- PO-NC fail safe closed
- PO-NO fail safe open
- PO-DA double acting

#### Technical advantages:

- High pressure and temperature resistance, body design
- Optic position indication
- Robust actuator housing
- Resistant sealing system (chlorine and sea water resistant, corrosion free)
- Universal flange drill holes (ANSI, DIN, JIS)
- Quick manipulation
- Wide range of accessories, like solenoid valves, electric position feed back and 4 – 20 mA valve positioner

Material	Seal	Dimension	bar	Connection type
PVC Code 81	EPDM, FPM, PTFE-coated	DN15 / d20 1/2" - DN50 / d63 2"	10	solvent cement socket (ASTM, DIN, JIS) solvent spigot threaded socket BSP, NPT) flange connection (ANSI, DIN, JIS)

### Main dimensions PVC diaphragm valve T4 with pneumatic actuator

d	mm	20	25	32	40	50	63
DN	mm	15	20	25	32	40	50
G	Inch	1/2"	3/4"	1"	1 1/4"	1 1/2"	2"
A	mm	90,0	108,0	116,0	136,0	154,0	184,0
D	mm	43,0	53,0	60,0	74,0	83,0	103,0
F	mm	25,0	25,0	25,0	45,0	45,0	45,0
K	mm	M6	M6	M6	M8	M8	M8
L	mm	124,0	144,0	154,0	174,0	194,0	224,0
L1	mm	130,0	150,0	160,0	180,0	200,0	230,0
M	mm	17,0	17,0	21,0	33,0	33,0	40,5
t	mm	16,0	19,0	22,0	26,0	31,0	38,0
Z	mm	96,0	114,0	122,0	142,0	160,0	190,0
Actuator		K-52	K-62	K-82	K-122	K-122	K-123
B	mm	63,0	80,0	100,0	160,0	160,0	160,0
H	mm	126,5	151,5	265,5	278,0	278,0	282,5
X	mm	44,0	50,0	58,0	92,0	92,0	92,0
Actuator		K-62	K-82	-	-	-	-
B	mm	80,0	100,0	-	-	-	-
H	mm	148,0	174,0	-	-	-	-
X	mm	50,0	58,0	-	-	-	-

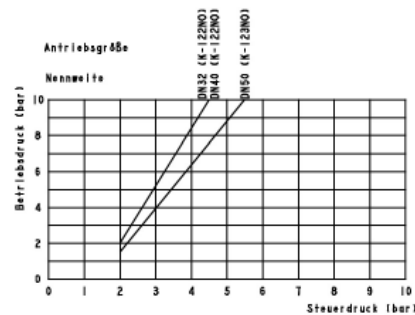
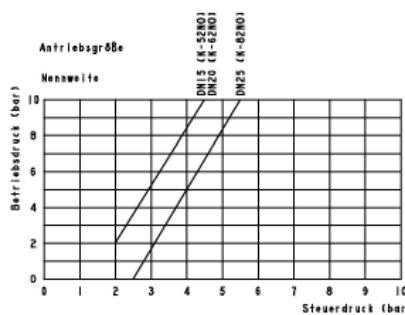
### Required air control pressure diagram

#### function NC (fail safe closed)

DN/d	actuato- size	Required air operating pressure	Max. for sealing material		
			EPDM/FPM	PTFE/EPDM	
mm	bar	bar	bar	bar	
					15/20
20/25	K-62 NC	5,0-10	-	10	5
32/40	K-122 NC	5,5-10	10	10	10
50/63	K-123 NC	5,5-10	10	10	

### Required air control pressure diagram

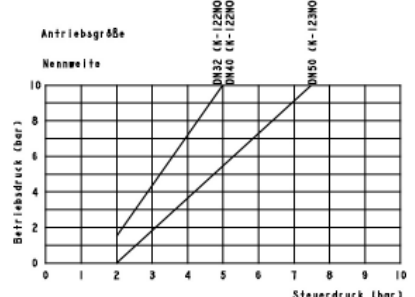
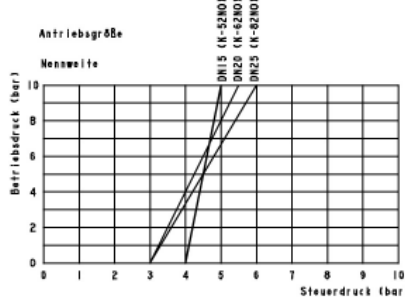
#### Function NO (fail safe open) and DA (double acting) EPDM/FPM diaphragm



### Applications:

- Private and public pool and water treatment industr
- Swimming ponds and fish farming
- Water irrigation and cooling towers
- Trick fountains (wells, water falls, etc..)
- Pneumatic accessories

### Function NO (fail safe open) and DA (double acting) EPDM/FPM diaphragm



# PNEUM ACCESSORIES

## Accessories, Easy Control

---



### - Wide range of accessories like

solenoid valves, electric position feedback and 4-20 mA valve positioner available on project request for the whole range of pneumatically actuated K4 butterfly valves, S4 ball valves and T4 diaphragm valves.

Detailed technical information (PDF) under [info@peraqua.com](mailto:info@peraqua.com)



### Easy Control

Especially designed for the specific needs of the end user, it allows to control up to 6 pneumatic- or electric K4 butterfly- or ball valves. Main application of the Easy Control are big filter systems in the public pool- and water treatment industry.

As a matter of course they can be programmed according to your project requirements and supplied with an individual access code.

Detailed technical information (PDF) under [info@peraqua.com](mailto:info@peraqua.com)

Symbolpic



