



SMART POOL TECHNOLOGY
MADE IN AUSTRIA

PERAQUA[®]
pooled family pleasure



FOR
PUBLIC
POOLS

SIDE
MOUNT

HIGH LAYER FILTER

LEOBEN II

**HIGH LAYER FILTER MADE OF
REINFORCED
FIBREGLASS TANK**

VARIABLE SAND BED

Optional with filter star or nozzle
plate with 1 m or 1.2 m sand bed.

DETAILED DESCRIPTION

LEOBEN II

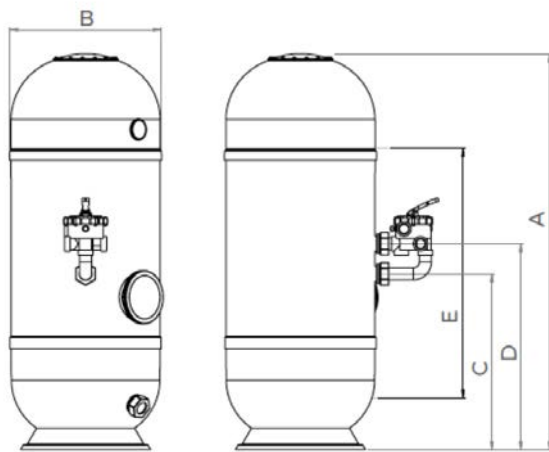
FEATURES

LEOBEN II is a high layer filter for public pools, made with industrial standards, reinforced fibreglass, UV resistant, equipped with 2" side hole and sightglass, black flansch lid, 2" connection and Manometer.

Available with 1 or 1.2 m sand bed.

Optional with filter star or nozzle plate.

Inkl. original Praher Plastics 2" piping set and manual 2" 7-Positionen Backwash Valve.



TECHNICAL DATA

<1,6 KG/CM²
OPERATING PRESSURE

2 KG/CM²
MAX. PRESSURE

Ø 220 mm
SIGHGLASS

< 40 °C
OPERATING TEMPERATURE

SPECIAL FEATURES

Folding diffuser to facilitate the loading of filtrant media.

Side hole to facilitate the discharge of filtrant media and the access to the interior parts.

Drain set designed to facilitate the emptying of water and sand.

Internal air purge to prevent the formation of air bubbles inside the filter.

DIMENSIONS

PROD. NO. with V6 Valve without V6 Valve	Ø	SAND BED	FILTRATION AREA	FLOW RATE			DIMENSIONS					NATURE WORKS Glas Filter Media kg
				20 m ² /h	30 m ² /h	40 m ² /h	A	B	C	D	E	
7300509 7300533	620	star 1.0	0.30	5.7	9.4	12	1645	620	728	868	100	425
7300510 7300534	750	star 1.0	0.44	8.3	13.8	18	1645	750	728	868	100	575
7300511 7300535	900	star 1.0	0.64	11.9	19.9	26	1645	900	728	868	100	825
7300512 7300536	620	star 1.2	0.30	5.7	9.4	12.3	1845	620	728	868	100	575
7300513 7300537	750	star 1.2	0.44	8.3	13.8	17.9	1845	750	728	868	100	725
7300514 7300538	900	star 1.2	0.64	11.9	19.9	25.8	1845	900	728	868	100	1025
7300515 7300539	620	plate 1.2	0.30	5.7	9.4	12.3	1845	620	728	868	100	500
7300516 7300540	750	plate 1.2	0.44	8.3	13.8	17.9	1845	750	728	868	100	725
7300517 7300541	900	plate 1.2	0.64	11.9	19.9	25.8	1845	900	728	868	100	975