

**General:**

- Material: PVC – U, POM
- Sealing Material: EPDM
- Dimensions: DN40 - DN50  
d50 - d63

**Connection types:**

- Adaptor Union
- Double Union
- Adaptor Elbow
- Elbow 90° / 45°
- Adaptor Tee

**Operating Pressure:** PN4

**Technical features:**

- patented system for swimming pools
- removable and easy to assemble:
  - fast connection
  - quick assembly time
  - no drying time
  - no protection measures required

**Assembly options:**

- On rigid PE Pipe  
Use standard union.
- On rigid PVC-U Pipe  
Brass ring is required (see page 4)

This print contains no warranty promise, but it should give you some first information. The product range is extended continuously, therefore the versions and types correspond to the actual status of printing.  
Subject to technical modifications!

**Adapter and connection types:**

- compression – solvent cement spigot
- compression – solvent cement socket
- compression – male thread
- compression – female thread
- compression – compression (Double Union)
- Elbow 90°
  - compression – solvent cement socket
  - compression – female thread
  - compression – male thread
  - compression – compression
- Elbow 45°
  - compression – solvent cement socket
- Tee
  - compression – solvent cement socket
  - compression – compression

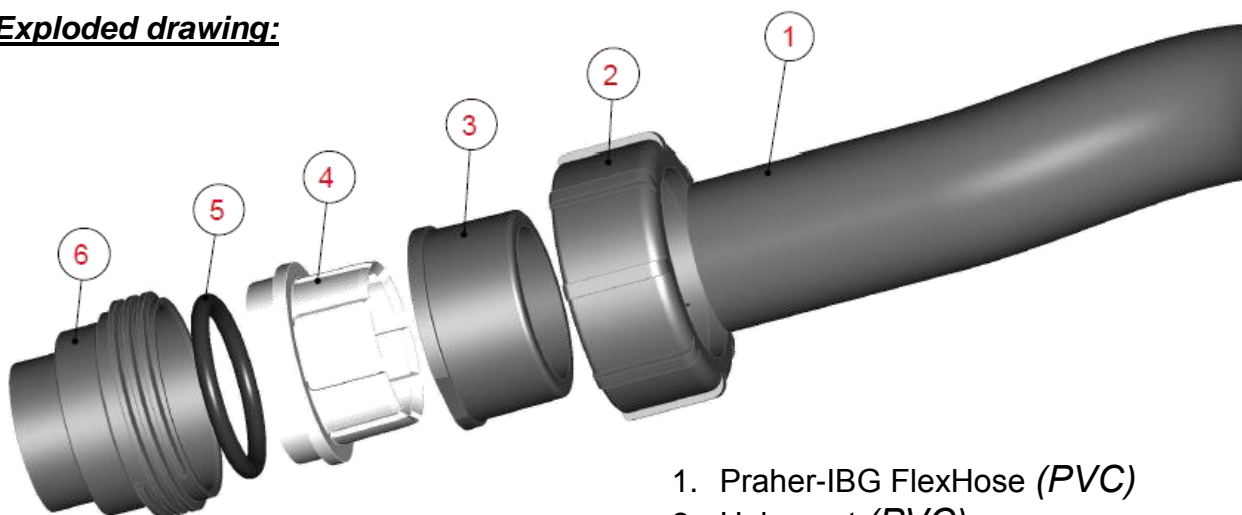
**FlexFit for PVC Praher-IBG FlexHoses**

Made for swimming pools.

Please consider Installation and storage recommendation for Praher-IBG Flex Hose!

**Operating pressure:**     d50 => PN4  
  d63 => PN4

**Exploded drawing:**



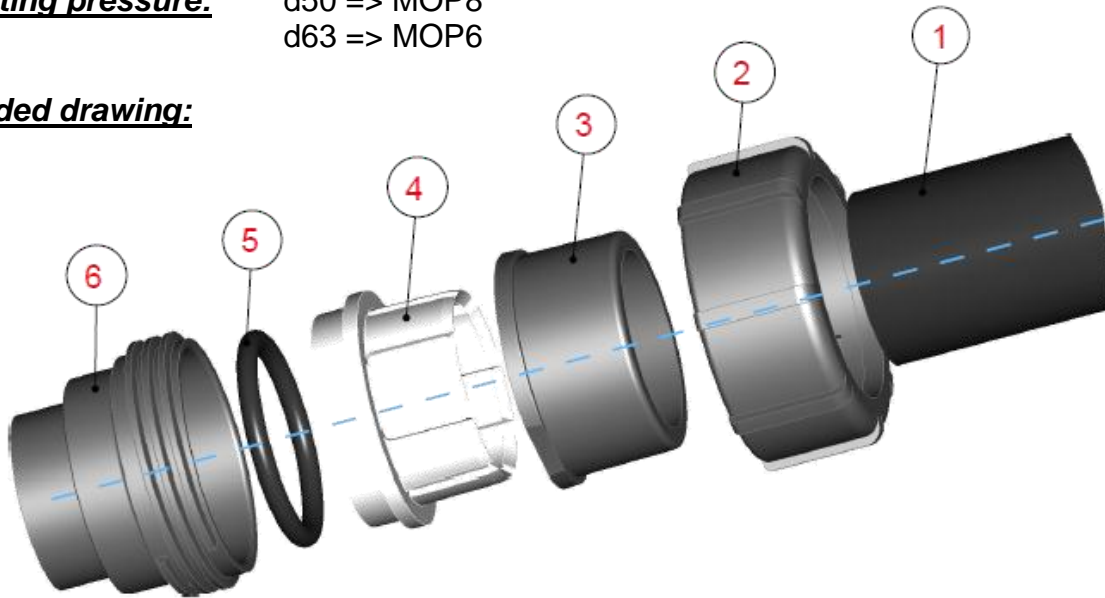
1. Praher-IBG FlexHose (PVC)
2. Union nut (PVC)
3. Compression bush (PVC)
4. Clamping ring (POM)
5. O-Ring (EPDM)
6. Adapter (PVC)

**FlexFit for rigid PE – Pipes**

FlexFit - unions for rigid PE-Pipes.

**Operating pressure:** d50 => MOP8  
d63 => MOP6

**Exploded drawing:**



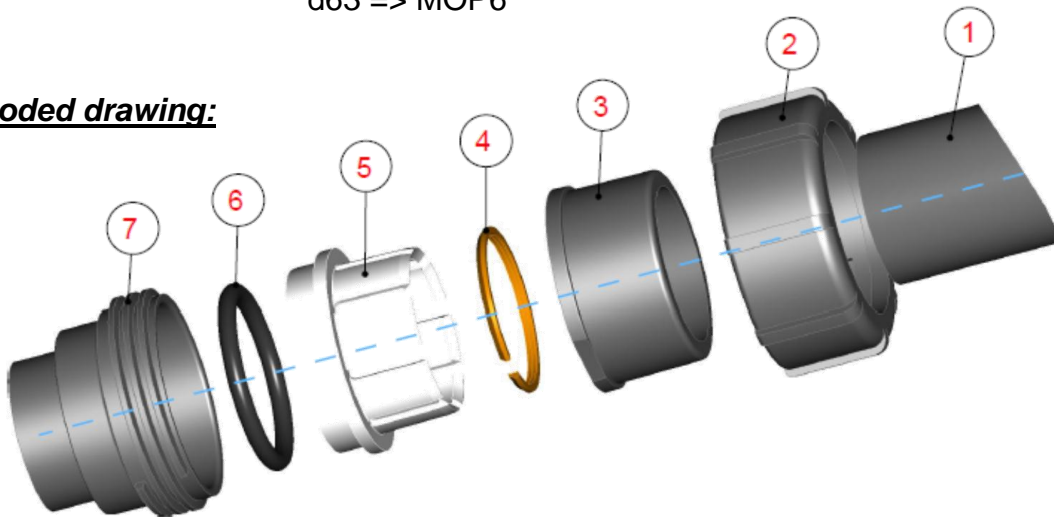
1. Pipe (*PE*)
2. Union nut (*PVC*)
3. Compression bush (*PVC*)
4. Clamping ring (*POM*)
5. O-Ring (*EPDM*)
6. Adapter (*PVC*)

**FlexFit for rigid PVC – U Pipes**

Special FlexFit – unions with Brass ring (*Pos 4; item.no. d50 142428 / d63 142429*), for direct fixing on rigid PVC – Pipes.

**Operating pressure:**      d50 => MOP8  
   d63 => MOP6

**Exploded drawing:**



1. Pipe (*PVC*)
2. Union nut (*PVC*)
3. Compression bush (*PVC*)
4. Brass ring (*Brass*)
5. Clamping ring (*POM*)
6. O-Ring (*EPDM*)
7. Adapter (*PVC*)